



义云
义云索具
YIYUN RIGGING

重力旋转环

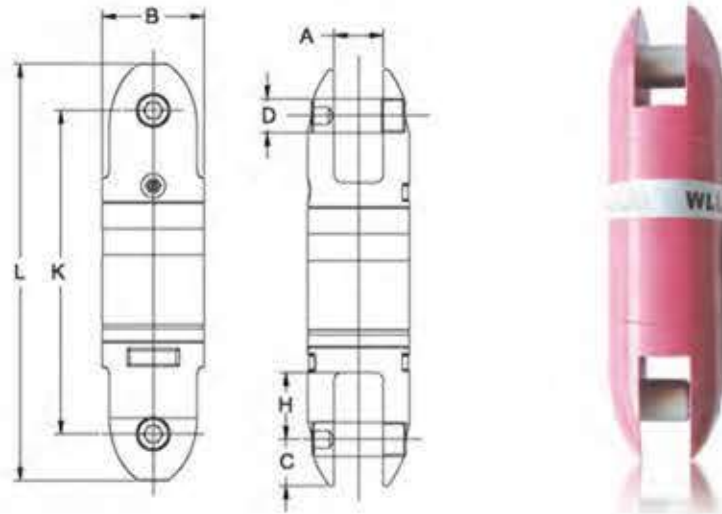
ANGULAR CONTACT BEARING SWIVELS

QUALITY  唯有完美的品质
ONLY THE PERFECT QUALITY

才能创造最安全的工作环境
TO CREATE A MORE SECURE WORKING ENVIRONMENT



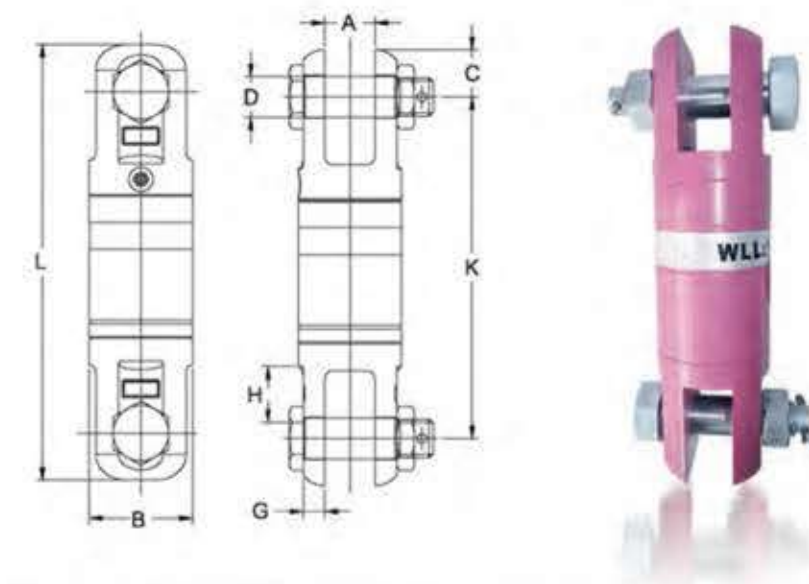
重力旋转环-子弹式 ANGULAR CONTACT BEARING SWIVELS-BULLET STYLE



产品编号 ITEM NO.	规格 SIZE	额定载荷 WLL/T	技术参数mm							自重 Weigh/kg
			B	K	L	C	A	D	H	
YD-087-007	0.75	0.75	34	102	126	12	15	10	22	0.5
YD-087-015	1.5	1.5	40	112	144	16	18	12	26	0.8
YD-087-030	3	3	53	158	208	25	23	16	32	2.0
YD-087-050	5	5	67	205	267	31	32	22	37	3.9
YD-087-085	8.5	8.5	78	250	320	35	37	25	50	6.7
YD-087-100	10	10	106	316	408	46	42	38	53	18.6
YD-087-150	15	15	119	334	430	48	48	38	56	19.9
YD-087-250	25	25	137	403	525	61	62	51	69	36.5
YD-087-350	35	35	154	426	548	61	62	51	69	47.6

- 旋转吊环所采用的高强度高韧性特殊合金钢锻造精工而成均经过调质热处理。
Forged super alloy steel-Quenched Tempered.
- 旋转吊环的设计安全系数为4:1
Swivels are designed with a safety factor of 4:1
- 旋转环测试认证时独立测试载荷应为安全工作载荷的两倍
Swivels are individually tested to 2 times the see working load with certification
- 旋转环表面镀锌或涂塑,使产品能够具有抗腐蚀性较好性能和寿命。
Swivels are zinc plated for corrosion resistane and longer life.
- 旋转环设置有黄油嘴方便于进行维护保养,使产品具有更好的性能。
Swivels are manufactured with grease fittings for superior performance.

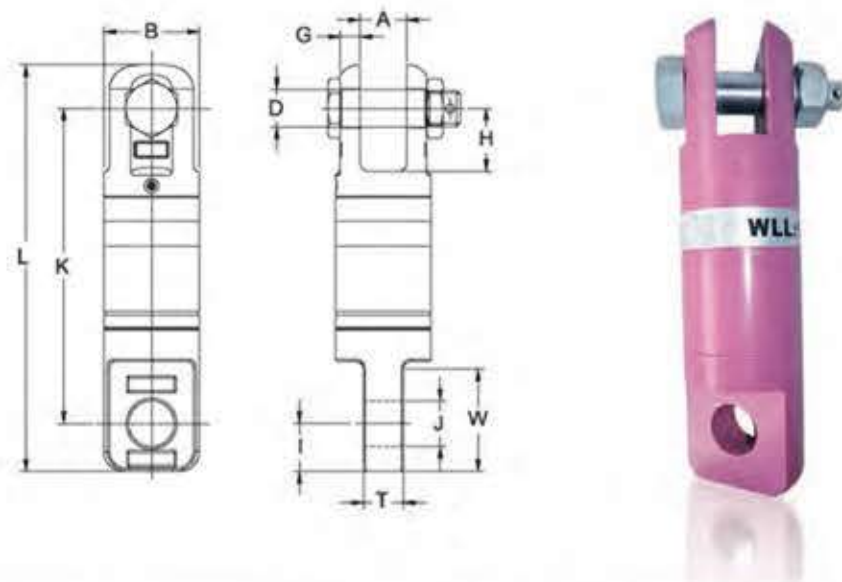
重力旋转环-UU型 ANGULAR CONTACT BEARING SWIVELS-UU



产品编号 ITEM NO.	规格 SIZE	额定载荷 WLL/T	技术参数mm								自重 Weigh/kg
			B	K	L	C	A	D	G	H	
YD-086-007	0.75	0.75	31	102	128	13	15	10	6	22	0.5
YD-086-015	1.5	1.5	40	112	152	20	18	13	8	26	0.9
YD-086-030	3	3	53	158	208	25	23	19	10	32	2.3
YD-086-050	5	5	67	205	267	31	32	22	14	37	4.4
YD-086-085	8.5	8.5	78	258	326	34	40	30	14	54	7.6
YD-086-100	10	10	106	314	410	48	42	38	25	54	19.5
YD-086-150	15	15	119	332	436	52	48	38	25	57	21.7
YD-086-250	25	25	137	405	535	65	62	51	30	70	39.5
YD-086-350	35	35	154	428	558	65	62	51	33	70	46.2
YD-086-600	60	60	270	670	890	115	100	80	75	75	

- 旋转吊环所采用的高强度高韧性特殊合金钢锻造精工而成均经过调质热处理。
Forged super alloy steel-Quenched Tempered.
- 旋转吊环的设计安全系数为4:1
Swivels are designed with a safety factor of 4:1
- 旋转环测试认证时独立测试载荷应为安全工作载荷的两倍
Swivels are individually tested to 2 times the see working load with certification
- 旋转环表面镀锌或涂塑,使产品能够具有抗腐蚀性较好性能和寿命。
Swivels are zinc plated for corrosion resistane and longer life.
- 旋转环设置有黄油嘴方便于进行维护保养,使产品具有更好的性能。
Swivels are manufactured with grease fittings for superior performance.

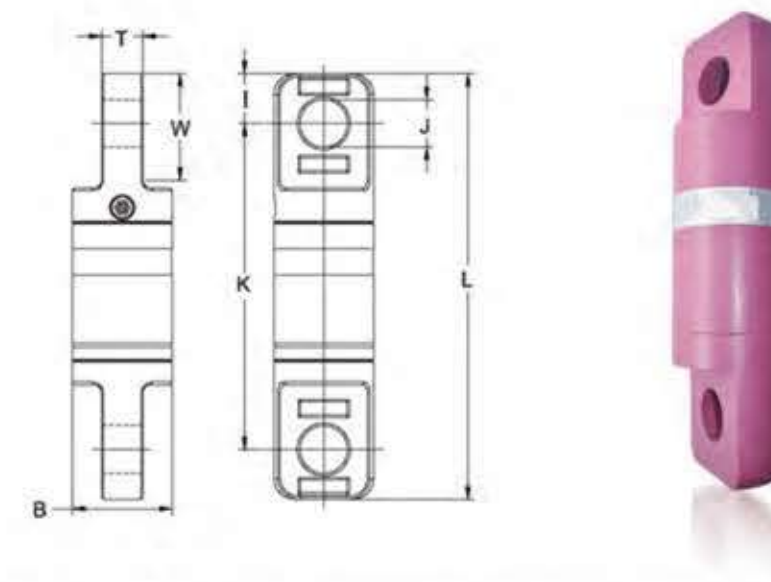
重力旋转环-OU型 ANGULAR CONTACT BEARING SWIVELS-OU



产品编号 ITEM NO.	规格 SIZE	额定载荷 WLL/T	技术参数mm										自重 Weigh/kg	
			B	K	L	A	G	D	H	T	J	W		I
YD-089-007	0.75	0.75	34	102	128	15	6	10	22	12	10	33.5	10	0.5
YD-089-015	1.5	1.5	40	112	152	18	8	13	26	15	13	45	20	0.9
YD-089-030	3	3	53	160	208	23	10.5	20	32	20	20	51	23	2.2
YD-089-050	5	5	65	203	267	32	14	22	37	26	33	65	33	4.4
YD-089-085	8.5	8.5	78	254	326	40	14	30	54	32	37	85	38	7.4
YD-089-100	10	10	106	310	410	42	25	38	54	42	44	91	52	18.0
YD-089-150	15	15	119	331	447	48	25	38	57	49	54	110	64	21.2
YD-089-250	25	25	137	405	540	62	30	51	70	60	66	130	70	40.0
YD-089-350	35	35	154	428	563	62	30	51	70	60	66	130	70	46.7
YD-089-600	60	60	270	670	890	100	75	80	115	70	80	230	115	

- 旋转吊环所采用的高强度高韧性特殊合金钢锻造精加工而成均经过调质热处理。
Forged super alloy steel-Quenched Tempered.
- 旋转吊环的设计安全系数为4:1
Swivels are designed with a safety factor of 4:1
- 旋转环测试认证时独立测试载荷应为安全工作载荷的两倍
Swivels are individually tested to 2 times the see working load with certification
- 旋转环表面镀锌或涂塑,使产品能够具有抗腐蚀性较好性能和寿命。
Swivels are zinc plated for corrosion resistane and longer life.
- 旋转环设置有黄油嘴方便于进行维护保养,使产品具有更好的性能。
Swivels are manufactured with grease fittings for superior performance.

重力旋转环-OO型 ANGULAR CONTACT BEARING SWIVELS-OO



产品编号 ITEM NO.	规格 SIZE	额定载荷 WLL/T	技术参数mm							自重 Weigh/kg
			B	K	L	I	T	J	W	
YD-088-007	0.75	0.75	34	102	128	13	12	10	33.5	0.5
YD-088-015	1.5	1.5	40	112	152	20	15	13	45	0.9
YD-088-030	3	3	53	162	208	23	20	20	51	2.1
YD-088-050	5	5	65	201	267	33	26	33	65	4.3
YD-088-085	8.5	8.5	78	250	326	38	32	37	85	7.3
YD-088-100	10	10	106	306	410	52	42	44	91	17.0
YD-088-150	15	15	119	330	458	64	49	54	110	21.2
YD-088-250	25	25	137	405	545	70	60	66	130	39.0
YD-088-350	35	35	154	428	568	70	60	66	130	45.8
YD-088-600	60	60	270	670	890	115	75	80	230	

- 旋转吊环所采用的高强度高韧性特殊合金钢锻造精加工而成均经过调质热处理。
Forged super alloy steel-Quenched Tempered.
- 旋转吊环的设计安全系数为4:1
Swivels are designed with a safety factor of 4:1
- 旋转环测试认证时独立测试载荷应为安全工作载荷的两倍
Swivels are individually tested to 2 times the see working load with certification
- 旋转环表面镀锌或涂塑,使产品能够具有抗腐蚀性较好性能和寿命。
Swivels are zinc plated for corrosion resistane and longer life.
- 旋转环设置有黄油嘴方便于进行维护保养,使产品具有更好的性能。
Swivels are manufactured with grease fittings for superior performance.