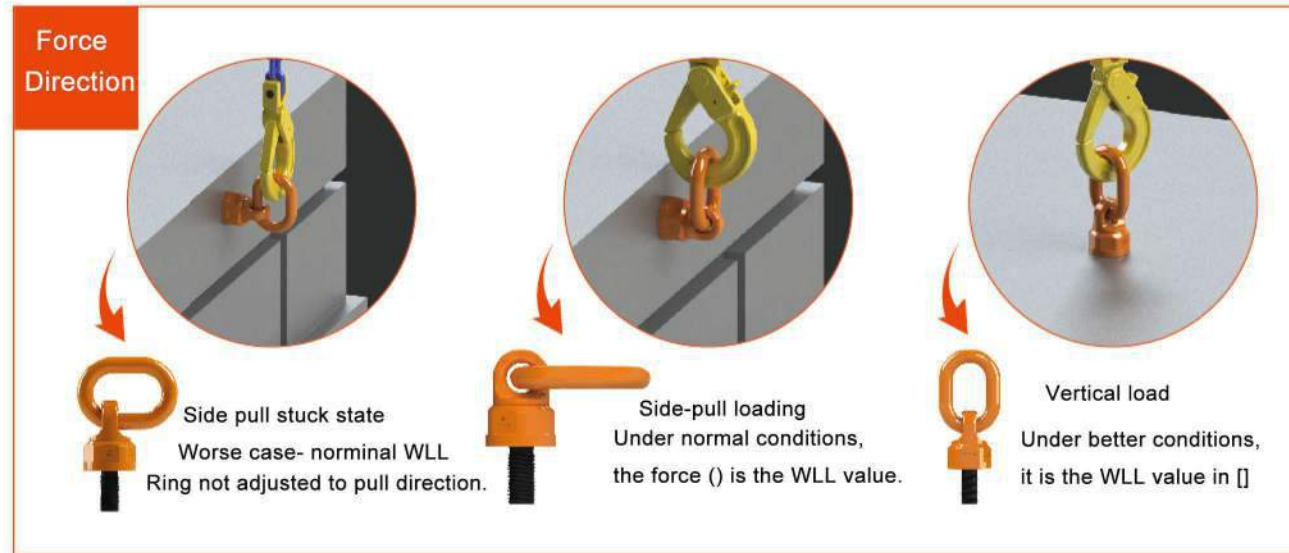
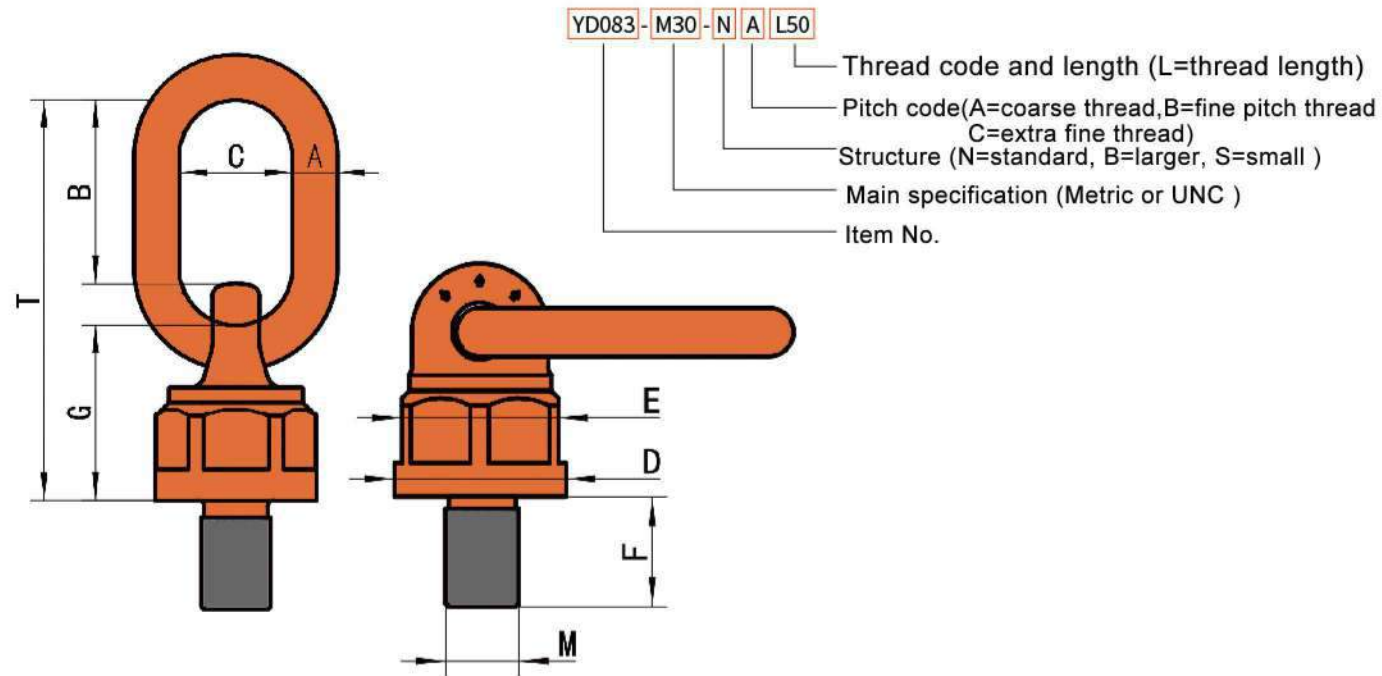


## SWIVEL HOIST RING



In the process of use, under the condition that the direction of the lifting point can be manually adjusted, according to the load WLL in ( ) CE certificate No. MA.0031-08. 15 eurocert

















## SWIVEL HOIST RING

### Metric thread & UNC thread specification

ITEM NO.	WLL/t			Dimensions/mm									Weight Kg
	X	(Y)	[Z]	A	B	C	D	E	F	G	M	T	
YD083-M8-NAL12	0.3	0.4	0.6	12	44	30	40	37	12	46	8	98	0.5
YD083-M10-NAL19	0.45	0.6	0.9	12	44	30	40	37	19	46	10	98	0.5
YD083-M12-NAL19	0.6	0.7	1.2	12	44	30	40	37	19	46	12	98	0.5
YD083-M14-NAL31.8	1	1.25	2	12	44	30	40	37	31.8	46	14	98	0.5
YD083-M16-NAL31.8	1.3	1.5	2.6	12	44	30	40	37	31.8	46	16	98	0.5
YD083-M18-NAL38.1	1.8	2	3.6	20	67	40	70	64.3	38.1	75	18	160	2.5
YD083-M20-NAL38.1	2	2.5	4	20	67	40	70	64.3	38.1	75	20	160	2.5
YD083-M22-NAL38.1	2	2.5	4	20	67	40	70	64.3	38.1	75	22	160	2.5
YD083-M24-NAL38.1	3.5	4	7	20	67	40	70	64.3	38.1	75	24	160	2.5
YD083-M30-NAL50	6	6	10	22	95	51	79	74	50	91	30	206	4
YD083-M33-NAL50	6	7.5	15	22	95	51	79	74	50	91	33	206	4
YD083-M36-NAL54	8	10	15	22	95	51	79	74	54	91	36	206	4
YD083-M39-NAL58	8	10	15	22	95	51	79	74	58	91	39	206	4
YD083-M42-NAL63	12	13	17	26	108	65	93	85	63	100.5	42	230.5	6
YD083-M45-NAL68	12	13	17	26	108	65	93	85	68	100.5	45	230.5	6
YD083-M48-NAL68	13	16	18	26	108	65	93	85	68	100.5	48	230.5	6
YD083-M52-NAL84	14	20	25	32	120	70	105	95	84	132	52	278	11
YD083-M56-NAL84	16	22	28	32	120	70	105	95	84	132	56	278	11
YD083-M60-NAL90	16	22	28	32	120	70	105	95	90	132	60	278	11
YD083-M64-NAL95	16	22	28	32	120	70	105	95	95	132	64	278	11
YD083-M72-SAL108	25	40	50	40	125	80	158	142	108	174	72	339	23
YD083-M80-SAL120	30	48	50	40	125	80	158	142	120	174	80	339	24
YD083-M90-SAL135	35	48	50	40	125	80	158	142	135	174	90	339	26
YD083-M100-SAL135	35	48	50	40	125	80	158	142	135	174	100	339	26
YD083-M72-NAL108	31.5	40	50	46	136	90	172	155	108	172	72	357	31
YD083-M80-NAL120	35	48	50	46	136	90	172	155	120	172	80	357	32
YD083-M90-NAL135	40	50	50	46	136	90	172	155	135	172	90	357	34
YD083-M100-NAL135	40	50	50	46	136	90	172	155	135	172	100	357	36.5
YD083-5/16-NAL12	0.3	0.4	0.6	12	44	30	40	37	12	46	5/16	98	0.5
YD083-3/8-NAL19	0.45	0.6	0.9	12	44	30	40	37	19	46	3/8	98	0.5
YD083-1/2-NAL19	0.6	0.7	1.2	12	44	30	40	37	19	46	1/2	98	0.5
YD083-5/8-NAL31.8	1.3	1.5	2.6	12	44	30	40	37	31.8	46	5/8	98	0.5
YD083-3/4-NAL38.1	1.8	2	3.6	20	67	40	70	64.3	38.1	75	3/4	160	2.5
YD083-7/8-NAL38.1	2	2.5	4	20	67	40	70	64.3	38.1	75	7/8	160	2.5
YD083-1-NAL38.1	3.5	4	7	20	67	40	70	64.3	38.1	75	1	160	2.5
YD083-1-1/4-NAL50	6	6	10	22	95	51	79	74	50	91	1-1/4	206	4
YD083-1-1/2-NAL50	8	10	15	22	95	51	79	74	54	91	1-1/2	206	4
YD083-1-3/4-NAL68	12	13	17	26	108	65	93	85	68	100.5	1-3/4	230.5	6
YD083-2-NAL84	14	20	25	32	120	70	105	95	84	132	2	278	11
YD083-2-1/4-NAL84	16	22	28	32	120	70	105	95	84	132	2-1/4	278	11
YD083-2-1/2-NAL95	16	22	28	32	120	70	105	95	95	132	2-1/2	278	11
YD083-3-SAL108	25	40	50	40	125	80	158	142	108	174	3	339	23
YD083-3-1/2-SAL135	35	48	50	40	125	80	158	142	135	174	3-1/2	339	26
YD083-4-SAL135	35	48	50	40	125	80	158	142	135	174	4	339	26
YD083-3-NAL108	31.5	40	50	46	136	90	172	155	108	172	3	357	31
YD083-3-1/2-NAL135	40	50	50	46	136	90	172	155	135	172	3-1/2	357	34
YD083-4-NAL135	40	50	50	46	136	90	172	155	135	172	4	357	36.5

The lifting ring rotates in the direction of tension under the action of tension, so we mark the load value under the force condition of 3. The load on the product base is the load in the X direction.

YD083 swivel hoist ring Safety Information

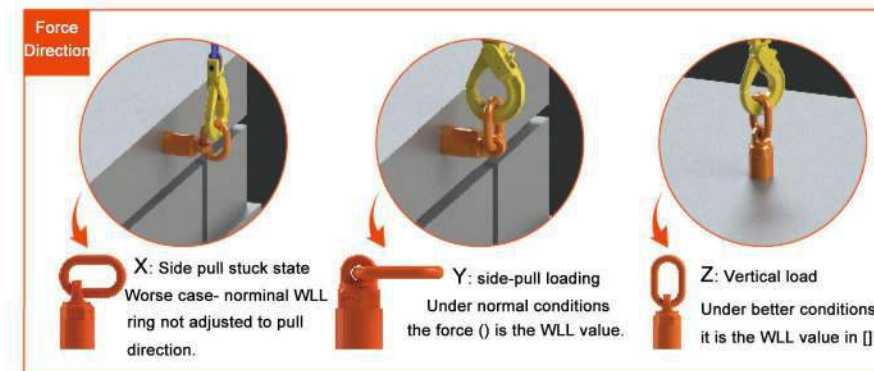
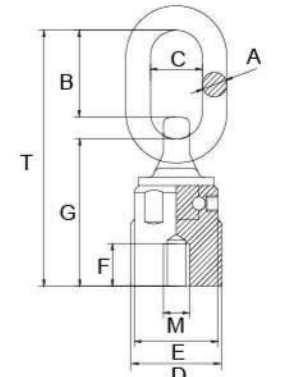
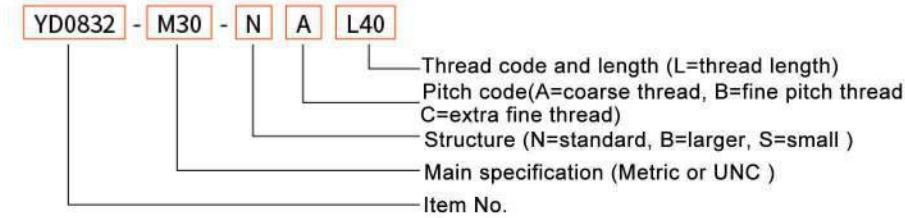
Description	Overview	Detail	Description	Overview	Detail
<p>1</p> <ul style="list-style-type: none"> <li>• 1 piece lifting point</li> <li>• Installed at the center of gravity</li> <li>• Vertical lifting</li> </ul>			<p>5</p> <ul style="list-style-type: none"> <li>• 2 pieces lifting point</li> <li>• Symmetrically mounted around the center of gravity</li> <li>• <math>0 &lt; \beta &lt; 60^\circ</math></li> </ul>		
<p>2</p> <ul style="list-style-type: none"> <li>• 2 pieces lifting point</li> <li>• Symmetrically mounted around the center of gravity</li> <li>• Vertical (with beam) lifting</li> </ul>			<p>6</p> <ul style="list-style-type: none"> <li>• 2 pieces lifting point</li> <li>• Asymmetry</li> <li>• <math>0 &lt; \beta &lt; 60^\circ</math></li> </ul>		
<p>3</p> <ul style="list-style-type: none"> <li>• 1 piece lifting point</li> <li>• Mounted on the side</li> <li>• Vertical lifting</li> </ul>			<p>7</p> <ul style="list-style-type: none"> <li>• 4 pieces lifting point</li> <li>• Symmetrically mounted around the center of gravity</li> <li>• <math>0 &lt; \beta &lt; 60^\circ</math></li> </ul>		
<p>4</p> <ul style="list-style-type: none"> <li>• 2 pieces lifting point</li> <li>• Mounted on the side</li> <li>• Vertical (with beam) lifting</li> </ul>			<p>8</p> <ul style="list-style-type: none"> <li>• 4 pieces lifting point</li> <li>• Asymmetry</li> <li>• <math>0 &lt; \beta &lt; 60^\circ</math></li> </ul>		

# YD083 Safety Information



Kind of attachment									
Number of pieces	1	2	1	2	2	2	3-4	3-4	
Inclination angle	0°	0°	90°	90°	0-45° 45-60°	Asymmetry	0-45° 45-60°	Asymmetry	
Item No.	WLL/t								
YD083-M8-NAL12	0.6	1.2	0.3(0.4)	0.6(0.8)	0.4(0.56)	0.3(0.4)	0.6(0.84)	0.4(0.6)	0.3(0.4)
YD083-M10-NAL19	0.9	1.8	0.45(0.6)	0.9(1.2)	0.6(0.84)	0.45(0.6)	0.9(1.26)	0.6(0.9)	0.4(0.6)
YD083-M12-NAL19	1.2	2.4	0.6(0.7)	1.2(1.5)	0.8(1.05)	0.6(0.7)	1.2(1.58)	0.9(1.12)	0.6(0.7)
YD083-M14-NAL31.8	2	4	1(1.25)	2(2.5)	1.4(1.75)	1(1.25)	2.1(2.62)	1.5(1.87)	1(1.25)
YD083-M16-NAL31.8	2.6	5.2	1.3(1.5)	2.6(3)	1.8(2.1)	1.3(1.5)	2.7(3.15)	1.9(2.25)	1.3(1.5)
YD083-M18-NAL38.1	3.6	7.2	1.8(2)	3.6(4)	2.5(2.8)	1.8(2)	3.7(4.2)	2.7(3)	1.8(2)
YD083-M20-NAL38.1	4	8	2(2.5)	4(5)	2.8(3.5)	2(2.5)	4.2(5.25)	3(3.75)	2(2.5)
YD083-M22-NAL38.1	4	8	2(2.5)	4(5)	2.8(3.5)	2(2.5)	4.2(5.25)	3(3.75)	2(2.5)
YD083-M24-NAL38.1	7	14	3.5(4)	7(8)	4.9(5.6)	3.5(4)	7.3(8.4)	5.2(6)	3.5(4)
YD083-M30-NAL50	10	20	5(6)	10(12)	7(8.4)	5(6)	10.5(12.6)	7.5(9)	5(6)
YD083-M33-NAL50	15	30	6(7.5)	12(15)	8.4(10.5)	6(7.5)	12.6(15.7)	9(11.2)	6(7.5)
YD083-M36-NAL54	15	30	8(10)	16(20)	11.2(14)	8(10)	16.8(21)	12(15)	8(10)
YD083-M39-NAL58	15	30	8(10)	16(20)	11.2(14)	8(10)	16.8(21)	12(15)	8(10)
YD083-M42-NAL63	17	34	12(13)	24(26)	16.8(18.2)	12(13)	25.2(27.3)	18(19.5)	12(13)
YD083-M45-NAL68	17	34	12(13)	24(26)	16.8(18.2)	12(13)	25.2(27.3)	18(19.5)	12(13)
YD083-M48-NAL68	18	36	13(16)	26(32)	18.2(22.4)	13(16)	27.3(33.6)	19.5(24)	13(16)
YD083-M52-NAL84	25	50	14(20)	28(40)	19.6(28)	14(20)	29.4(42)	21(30)	14(20)
YD083-M56-NAL84	28	56	16(22)	32(44)	22.4(30.8)	16(22)	33.6(46.2)	24(33)	16(22)
YD083-M60-NAL90	28	56	16(22)	32(44)	22.4(30.8)	16(22)	33.6(46.2)	24(33)	16(22)
YD083-M64-NAL95	28	56	16(22)	32(44)	22.4(30.8)	16(22)	33.6(46.2)	24(33)	16(22)
YD083-M72-SAL-108	50	100	25(40)	50(80)	35(56)	25(40)	52.5(84)	37.5(60)	25(40)
YD083-M80-SAL120	50	100	30(48)	60(96)	42(67.2)	30(48)	63(100)	45(72)	30(48)
YD083-M90-SAL135	50	100	35(48)	70(96)	49(67.2)	35(48)	73.5(100)	52.5(72)	35(48)
YD083-M100-SAL135	50	100	35(48)	70(96)	49(67.2)	35(48)	73.5(100)	52.5(72)	35(48)
YD083-M72-NAL108	50	100	31.5(40)	63(80)	44.1(56)	31.5(40)	66.15(84)	47.25(60)	31.5(40)
YD083-M80-NAL120	50	100	35(48)	70(96)	49(67.2)	35(48)	73.5(100)	52.5(72)	35(48)
YD083-M90-NAL135	50	100	40(50)	80(100)	56(70)	40(50)	84(105)	60(75)	40(50)
YD083-M100-NAL135	50	100	40(50)	80(100)	56(70)	40(50)	84(105)	60(75)	40(50)
YD083-5/16-NAL12	0.6	1.2	0.3(0.4)	0.6(0.8)	0.4(0.56)	0.3(0.4)	0.6(0.84)	0.4(0.6)	0.3(0.4)
YD083-3/8-NAL19	0.9	1.8	0.45(0.6)	0.9(1.2)	0.6(0.84)	0.45(0.6)	0.9(1.26)	0.6(0.9)	0.4(0.6)
YD083-1/2-NAL19	1.2	2.4	0.6(0.7)	1.2(1.5)	0.8(1.05)	0.6(0.7)	1.2(1.58)	0.9(1.12)	0.6(0.7)
YD083-5/8-NAL31.8	2.6	5.2	1.3(1.5)	2.6(3)	1.8(2.1)	1.3(1.5)	2.7(3.15)	1.9(2.25)	1.3(1.5)
YD083-3/4-NAL38.1	3.6	7.2	1.8(2)	3.6(4)	2.5(2.8)	1.8(2)	3.7(4.2)	2.7(3)	1.8(2)
YD083-7/8-NAL38.1	4	8	2(2.5)	4(5)	2.8(3.5)	2(2.5)	4.2(5.25)	3(3.75)	2(2.5)
YD083-1-NAL38.1	7	14	3.5(4)	7(8)	4.9(5.6)	3.5(4)	7.3(8.4)	5.2(6)	3.5(4)
YD083-1-1/4-NAL50	10	20	5(6)	10(12)	7(8.4)	5(6)	10.5(12.6)	7.5(9)	5(6)
YD083-1-1/2-NAL50	15	30	8(10)	16(20)	11.2(14)	8(10)	16.8(21)	12(15)	8(10)
YD083-1-3/4-NAL68	17	34	12(13)	24(26)	16.8(18.2)	12(13)	25.2(27.3)	18(19.5)	12(13)
YD083-2-NAL84	25	50	14(20)	28(40)	19.6(28)	14(20)	29.4(42)	21(30)	14(20)
YD083-2-1/4-NAL84	28	56	16(22)	32(44)	22.4(30.8)	16(22)	33.6(46.2)	24(33)	16(22)
YD083-2-1/2-NAL95	28	56	16(22)	32(44)	22.4(30.8)	16(22)	33.6(46.2)	24(33)	16(22)
YD083-3-SAL108	50	100	25(40)	50(80)	35(56)	25(40)	52.5(84)	37.5(60)	25(40)
YD083-3-1/2-SAL135	50	100	35(48)	70(96)	49(67.2)	35(48)	73.5(100)	52.5(72)	35(48)
YD083-4-SAL135	50	100	35(48)	70(96)	49(67.2)	35(48)	73.5(100)	52.5(72)	35(48)
YD083-3-NAL108	50	100	31.5(40)	63(80)	44.1(56)	31.5(40)	66.15(84)	47.25(60)	31.5(40)
YD083-3-1/2-NAL135	50	100	40(50)	80(100)	56(70)	40(50)	84(105)	60(75)	40(50)
YD083-4-NAL135	50	100	40(50)	80(100)	56(70)	40(50)	84(105)	60(75)	40(50)

## SWIVEL HOIST RING — NUT TYPE



ITEM NO.	WLL/T			Dimensions/mm									Weight Kg
	X	Y	Z	A	B	C	D	E	F	G	M	T	
YD083-M8-NAL15	0.3	0.4	0.6	12	44	30	40	37	15	73	8	98	0.5
YD083-M10-NAL15	0.45	0.6	0.9	12	44	30	40	37	15	73	10	98	0.5
YD083-M12-NAL15	0.6	0.7	1.2	12	44	30	40	37	15	73	12	98	0.5
YD083-M14-NAL20	1	1.25	2	12	44	30	40	37	20	73	14	98	0.5
YD083-M16-NAL20	1.3	1.5	2.6	12	44	30	40	37	20	73	16	98	0.5
YD083-M18-NAL25	1.8	2	3.6	20	67	40	70	64.3	25	111	18	160	2.5
YD083-M20-NAL25	2	2.5	4	20	67	40	70	64.3	25	111	20	160	2.5
YD083-M22-NAL25	2	2.5	4	20	67	40	70	64.3	25	111	22	160	2.5
YD083-M24-NAL30	3.5	4	7	20	67	40	70	64.3	30	111	24	160	2.5
YD083-M30-NAL40	6	6	10	22	95	51	79	74	40	144	30	206	4
YD083-M33-NAL40	6	7.5	15	22	95	51	79	74	40	144	33	206	4
YD083-M36-NAL45	8	10	15	22	95	51	79	74	45	144	36	206	4
YD083-M39-NAL45	8	10	15	22	95	51	79	74	45	144	39	206	4
YD083-M42-NAL63	12	13	17	26	108	65	93	85	63	163	42	230.5	6
YD083-M45-NAL68	12	13	17	26	108	65	93	85	68	168	45	230.5	6
YD083-M48-NAL68	13	16	18	26	108	65	93	85	68	168	48	230.5	6
YD083-M52-NAL84	14	20	25	32	120	70	105	95	84	216	52	278	11
YD083-M56-NAL84	16	22	28	32	120	70	105	95	84	216	56	278	11
YD083-M60-NAL90	16	22	28	32	120	70	105	95	90	222	60	278	11
YD083-M64-NAL95	16	22	28	32	120	70	105	95	95	227	64	278	11
YD083-M72-NAL108	31.5	40	50	46	136	90	172	155	108	268	72	357	31
YD083-M80-NAL120	35	48	50	46	136	90	172	155	120	280	80	357	32
YD083-M90-NAL135	40	50	50	46	136	90	172	155	135	295	90	357	34
YD083-M100-NAL135	40	50	50	46	136	90	172	155	135	295	100	357	36.5

\*Please reference swivel hoist ring safety information

The data in this table refers to the weight of the object that can be lifted by all the rings under the safety information.  
Lifting angle β: refers to the angle between the sling and the vertical line. When multiple spreaders are used, take the max value.

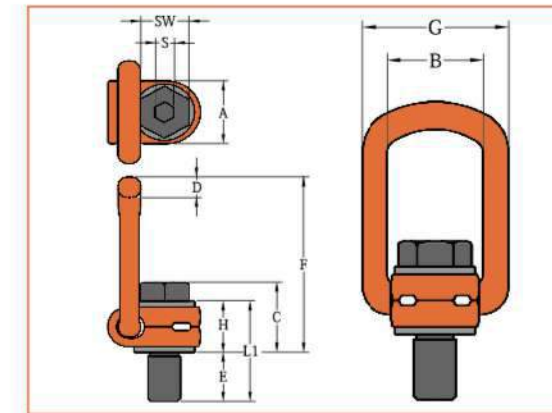
# 侧拉旋转吊点

合金钢材  
锻造工艺

- 侧拉旋转吊环的螺栓采用合金钢 42CrMo 精锻制成，热处理前的抗拉强度 $\sigma_b$  为 1080MPa，调质后机械性能提高。
- 环体 180°翻转，轴向 360°旋转，环体可随力的方向旋转，以调整受力角度。
- 不同受力方向，可起吊的载荷不同，但保证 4 倍系数。
- 吊环表面煮黑后静电喷涂，提高表面防腐能力。
- 标准螺纹规格齐全，额定载荷范围广（M8 ~ M48, 0.3t ~ 20t）；



## LIFTING POINT



YD081 - M30 - N A L48

- Thread code and length (L=thread length)
- Pitch code (A=coarse thread, B=fine pitch thread, C=extra fine thread)
- Structure (N=standard, B=larger, S=small)
- Main specification (Metric or UNC)
- Item No.



# LIFING POINT YD081

## Metric thread

ITEM NO.	WLL/t	Dimensions/mm										Torque Nm	Weight Kg
		A	B	C	D	E	F	G	H	S	SW		
YD081-M8-NAL11	0.3	34	37	42	14	11	99	57	36	6	13	30	0.5
YD081-M10-NAL16	0.63	34	37	44	14	16	99	57	36	6	16	60	0.5
YD081-M12-NAL18	1	34	37	45	14	18	99	57	36	8	18	100	0.5
YD081-M14-NAL21	1.2	34	37	46	14	21	99	57	36	10	21	120	0.5
YD081-M16-NAL24	1.5	34	37	48	14	24	99	57	36	10	24	150	0.5
YD081-M18-NAL26	2	50	54	57	16.5	26	144	82	44	12	27	200	1.5
YD081-M20-NAL30	2.5	50	54	58	16.5	30	144	82	44	12	30	250	1.5
YD081-M24-NAL36	4	50	54	61	16.5	36	14	82	44	14	36	400	1.5
YD081-M27-NAL38	4	60	65	80	22	38	171	99	62	17	41	400	3
YD081-M30-NAL48	5	60	65	82	22	48	171	99	62	17	46	500	3.5
YD081-M36-NAL54	7	60	65	85	22	54	174	99	60	22	55	700	3.5
YD081-M36-BAL62	8	77	85	104	27	62	227	123	79	22	55	800	6
YD081-M42-NAL72	10	77	85	106	27	72	227	123	79	22	65	1000	6.5
YD081-M42-BAL63	15	95	104	117	36	63	258.5	158	90	22	65	1500	11
YD081-M48-NAL72	20	95	104	120	36	72	258.5	158	90	27	75	2000	12

## Unc Thread

ITEM NO.	WLL/t	Dimensions/mm										Torque Nm	Weight Kg
		A	B	C	D	E	F	G	H	S	SW		
YD081-5/16-NAL11	0.3	34	37	42	14	11	99	57	36	6	13	30	0.5
YD081-3/8-NAL16	0.63	34	37	44	14	16	99	57	36	6	16	60	0.5
YD081-7/16-NAL18	1	34	37	45	14	18	99	57	36	8	18	100	0.5
YD081-1/2-NAL21	1.2	34	37	46	14	21	99	57	36	10	21	120	0.5
YD081-5/8-NAL24	1.5	34	37	48	14	24	99	57	36	10	24	150	0.5
YD081-3/4-NAL30	2	50	54	57	16.5	26	144	82	44	12	27	200	1.5
YD081-7/8-NAL30	2.5	50	54	58	16.5	30	144	82	44	12	30	250	1.5
YD081-1-NAL36	4	50	54	61	16.5	36	14	82	44	14	36	400	1.5
YD081-1-1/4-NAL48	5	60	65	82	22	48	171	99	62	17	46	500	3.5
YD081-1-1/2-NAL54	8	77	85	104	27	62	227	123	79	22	55	800	6
YD081-1-3/4-NAL62	15	95	104	117	36	63	258.5	158	90	22	65	1500	11
YD081-2-NAL72	20	95	104	120	36	72	258.5	158	90	27	75	2000	12

# YD081

## Safety Information

Description	Overview	Detail
<p>1</p> <ul style="list-style-type: none"> <li>• 1 piece lifting point</li> <li>• Installed at the center of gravity</li> <li>• Vertical lifting</li> </ul>		
<p>2</p> <ul style="list-style-type: none"> <li>• 2 pieces lifting points</li> <li>• Symmetrically mounted around the center of gravity</li> <li>• Vertical (with beam) lifting</li> </ul>		
<p>3</p> <ul style="list-style-type: none"> <li>• 1 piece lifting point</li> <li>• Mounted on the side</li> <li>• Vertical lifting</li> </ul>		
<p>4</p> <ul style="list-style-type: none"> <li>• 2 pieces lifting points</li> <li>• Mounted on the side</li> <li>• Vertical (with beam) lifting</li> </ul>		

Note: Angle between the sling and vertical line

## YD081 LIFTING POINT Safety Information

Description	Overview	Detail
<p><b>5</b></p> <ul style="list-style-type: none"> <li>• 2 pieces lifting points</li> <li>• Symmetrically mounted around the center of gravity</li> <li>• <math>0 &lt; \beta &lt; 60^\circ</math> :</li> </ul>		
<p><b>6</b></p> <ul style="list-style-type: none"> <li>• 2 pieces lifting points</li> <li>• Asymmetry</li> <li>• <math>0 &lt; \beta &lt; 60^\circ</math></li> </ul>		
<p><b>7</b></p> <ul style="list-style-type: none"> <li>• 4 pieces lifting points</li> <li>• Symmetrically mounted around the center of gravity</li> <li>• <math>0 &lt; \beta &lt; 60^\circ</math></li> </ul>		
<p><b>8</b></p> <ul style="list-style-type: none"> <li>• 4 pieces lifting points</li> <li>• Asymmetry</li> <li>• <math>0 &lt; \beta &lt; 60^\circ</math></li> </ul>		

Note: Angle between the sling and vertical line

## YD081 Safety Information



Kind of attachment	G		G		G		G		G	
	1	2	1	2	2	2	3or4	3or4	3or4	
Number of pieces	1	2	1	2	2	2	3or4	3or4	3or4	
Inclination angle	0°	0°	90°	90°	0-45° 45-60°	Asymmetry	0-45° 45-60°	Asymmetry	Asymmetry	
Item No.	WLL/t									
YD081-M8-NAL11	0.3	0.6	0.3	0.6	0.42	0.3	0.3	0.63	0.45	0.3
YD081-M10-NAL16	0.63	1.26	0.63	1.26	0.88	0.63	0.63	1.32	0.95	0.63
YD081-M12-NAL18	1	2	1	2	1.4	1	1	2.1	1.5	1
YD081-M14-NAL21	1.2	2.4	1.2	2.4	1.7	1.2	1.2	2.5	1.8	1.2
YD081-M16-NAL24	1.5	3	1.5	3	2.1	1.5	1.5	3.1	2.2	1.5
YD081-M18-NAL26	2	4	2	4	2.8	2	2	4.2	3	2
YD081-M20-NAL30	2.5	5	2.5	5	3.5	2.5	2.5	5.2	3.7	2.5
YD081-M24-NAL36	4	8	4	8	5.6	4	4	8.4	6	4
YD081-M27-NAL38	4	8	4	8	5.6	4	4	8.4	6	4
YD081-M30-NAL48	5	10	5	10	7	5	5	10.5	7.5	5
YD081-M36-NAL54	7	14	7	14	9.8	7	7	14.7	10.5	7
YD081-M36-BAL62	8	16	8	16	11.2	8	8	16.8	12	8
YD081-M42-NAL72	10	20	10	20	14	10	10	21	15	10
YD081-M42-BAL63	15	30	15	30	21	15	15	31.5	22.5	15
YD081-M48-NAL72	20	40	20	40	28	20	20	42	30	20
YD081-5/16-NAL11	0.3	0.6	0.3	0.6	0.42	0.3	0.3	0.63	0.45	0.3
YD081-3/8-NAL16	0.63	1.26	0.63	1.26	0.88	0.63	0.63	1.32	0.95	0.63
YD081-7/16-NAL18	1	2	1	2	1.4	1	1	2.1	1.5	1
YD081-1/2-NAL21	1.2	2.4	1.2	2.4	1.7	1.2	1.2	2.5	1.8	1.2
YD081-5/8-NAL24	1.5	3	1.5	3	2.1	1.5	1.5	3.1	2.2	1.5
YD081-3/4-NAL30	2	4	2	4	2.8	2	2	4.2	3	2
YD081-7/8-NAL30	2.5	5	2.5	5	3.5	2.5	2.5	5.2	3.7	2.5
YD081-1-NAL36	4	8	4	8	5.6	4	4	8.4	6	4
YD081-1-1/4-NAL48	5	10	5	10	7	5	5	10.5	7.5	5
YD081-1-1/2-NAL54	8	16	8	16	11.2	8	8	16.8	12	8
YD081-1-3/4-NAL62	15	30	15	30	21	15	15	31.5	22.5	15
YD081-2-NAL72	20	40	20	40	28	20	20	42	30	20

The data in this table refers to the weight of the object that can be lifted by all the rings under the safety information.

Lifting angle  $\beta$ : refers to the angle between the sling and the vertical line. When multiple spreaders are used, take the max value.

# 眼型旋转吊点

## 带止动片

标记的额定载荷适用于允许的受力方向；  
竖直方向起吊时，工作载荷大。  
符合 EN1677 欧盟标准。

眼型旋转吊环的螺栓采用合金钢 42CrMo  
精锻制成，热处理前的抗拉强度 $\sigma_b$  为  
1080MPa，调质后机械性能提高。

吊环表面煮黑后静电  
喷涂，提高表面防腐  
能力。



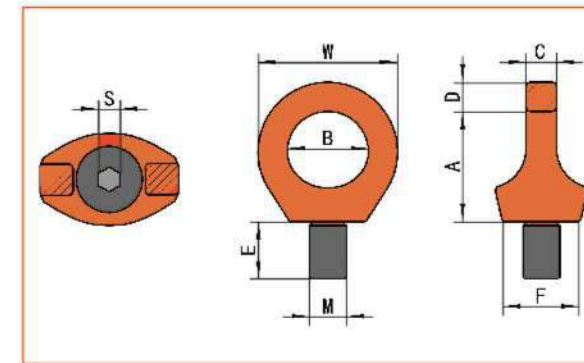
环体可 360° 旋转，随力的方向旋转、  
调整受力角度。

眼型吊点配备锁止扳手，可  
便捷的将吊点安装在被吊  
物体上。

标准螺纹规格齐全，额定载荷范围广 (M8 ~  
M48, 0.3t ~ 32t);

可按客户要求定制螺纹尺寸 (加长、缩短、粗牙、  
细牙、公制、美制)。

## SWIVEL HOISTRING (with self-lock wrench)



YD084 - M30 - N A L45

- Thread code and length (L=thread length)
- Pitch code (A=coarse thread, B=fine pitch thread, C=extra fine thread)
- Structure (N=standard, B=larger, S=small)
- Main specification (Metric or UNC)
- Item No.

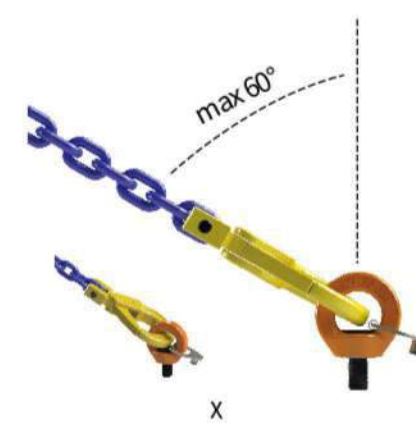
### Force Direction

Mounted on the upper surface

Z

Mounted on the side

X



X



X

## SWIVEL HOISTRING (with self-lock wrench)

### Metric thread

ITEM NO.	WLL/T		Dimensions/mm									Weight Kg
	X	[Z]	A	B	C	D	E	F	S	W		
YD084-M8-NAL12	0.3	1	35	25	8.5	11	12	28	6.5	47	0.2	
YD084-M10-NAL15	0.4	1	35	25	8.5	11	15	28	6.5	47	0.2	
YD084-M12-NAL18	0.75	2	42	30	10	13	18	34	8.5	56	0.3	
YD084-M14-NAL18	0.75	2	42	30	10	13	18	34	8.5	56	0.3	
YD084-M16-NAL24	1.5	4	50	35	16	15	24	42	10.5	65	0.5	
YD084-M18-NAL24	1.5	4	50	35	16	15	24	42	10.5	65	0.5	
YD084-M20-NAL30	2.3	6	58	40	16	17.5	30	50	12.5	75	0.7	
YD084-M22-NAL30	2.3	6	58	40	16	17.5	30	50	12.5	75	0.8	
YD084-M24-NAL36	3.2	8	72.5	48	19	21	36	61	14.5	90	1.2	
YD084-M27-NAL36	3.2	8	72.5	48	19	21	36	61	14.5	90	1.2	
YD084-M30-NAL45	4.5	12	88.5	60	25	26	45	74	17.5	112	2.2	
YD084-M33-NAL45	4.5	12	88.5	60	25	26	45	74	17.5	112	2.4	
YD084-M36-NAL54	7	16	105	72	30	31.5	54	91	22.5	135	4	
YD084-M42-NAL63	9	24	121.5	82	37	38	63	106	24.5	158	6.5	
YD084-M48-NAL72	12	32	138.5	94	42	43	72	124	27.5	180	10	

### Unc Thread

ITEM NO.	WLL/T		Dimensions/mm									Weight Kg
	X	[Z]	A	B	C	D	E	F	S	W		
YD084-5/16-NAL12	0.3	1	35	25	8.5	11	12	28	6.5	47	0.2	
YD084-3/8-NAL15	0.4	1	35	25	8.5	11	15	28	6.5	47	0.2	
YD084-7/16-NAL18	0.75	2	42	30	10	13	18	34	8.5	56	0.3	
YD084-1/2-NAL18	0.75	2	42	30	10	13	18	34	8.5	56	0.3	
YD084-5/8-NAL24	1.5	4	50	35	16	15	24	42	10.5	65	0.5	
YD084-3/4-NAL30	2.3	6	58	40	16	17.5	30	50	12.5	75	0.7	
YD084-7/8-NAL30	2.3	6	58	40	16	17.5	30	50	12.5	75	0.8	
YD084-1-NAL36	3.2	8	72.5	48	19	21	36	61	14.5	90	1.2	
YD084-1-1/4-NAL45	4.5	12	88.5	60	25	26	45	74	17.5	112	2.2	
YD084-1-1/2-NAL63	9	24	121.5	82	37	38	63	106	24.5	158	6.5	
YD084-1-3/4-NAL72	12	32	138.5	94	42	43	72	124	27.5	180	10	

## YD084 swivel eyebolt loading Safety Information

Description	Overview	Detail
<p>1</p> <ul style="list-style-type: none"> <li>• 1 piece lifting point</li> <li>• Installed at the center of gravity</li> <li>• Vertical lifting</li> </ul>		
<p>2</p> <ul style="list-style-type: none"> <li>• 2 pieces lifting points</li> <li>• Symmetrically mounted around the center of gravity</li> <li>• Vertical (with beam) lifting</li> </ul>		
<p>3</p> <ul style="list-style-type: none"> <li>• 1 piece lifting point</li> <li>• Mounted on the side</li> <li>• Vertical lifting</li> </ul>		
<p>4</p> <ul style="list-style-type: none"> <li>• 2 pieces lifting points</li> <li>• Mounted on the side</li> <li>• Vertical (with beam) lifting</li> </ul>		

Note: Angle between the sling and vertical line



## YD084 swivel eyebolt loading Safety Information

Description	Overview	Detail
<p><b>5</b></p> <ul style="list-style-type: none"> <li>• 2 pieces lifting points</li> <li>• Symmetrically mounted around the center of gravity</li> <li>• <math>0 &lt; \beta &lt; 60^\circ</math></li> </ul>		
<p><b>6</b></p> <ul style="list-style-type: none"> <li>• 2 pieces lifting points</li> <li>• Asymmetry</li> <li>• <math>0 &lt; \beta &lt; 60^\circ</math></li> </ul>		
<p><b>7</b></p> <ul style="list-style-type: none"> <li>• 4 pieces lifting points</li> <li>• Symmetrically mounted around the center of gravity</li> <li>• <math>0 &lt; \beta &lt; 60^\circ</math></li> </ul>		
<p><b>8</b></p> <ul style="list-style-type: none"> <li>• 4 pieces lifting points</li> <li>• Asymmetry</li> <li>• <math>0 &lt; \beta &lt; 60^\circ</math></li> </ul>		

Note: Angle between the sling and vertical line

## YD084 swivel eyebolt Safety Information



Kind of attachment										
Number of pieces	1	2	1	2	2		2	3 - 4		
Inclination angle	0°	0°	90°	90°	0-45°	45-60°	Asymmetry	0-45°	45-60°	Asymmetry
Item No.	WLL/T									
YD084-M8-NAL12	1	2	0.3	0.6	0.42	0.3	0.3	0.63	0.45	0.3
YD084-M10-NAL15	1	2	0.4	0.8	0.56	0.4	0.4	0.8	0.6	0.4
YD084-M12-NAL18	2	4	0.75	1.5	1	0.75	0.75	1.5	1.1	0.75
YD084-M14-NAL18	2	4	0.75	1.5	1	0.75	0.75	1.5	1.1	0.75
YD084-M16-NAL24	4	8	1.5	3	2.1	1.5	1.5	3.1	2.2	1.5
YD084-M18-NAL24	4	8	1.5	3	2.1	1.5	1.5	3.1	2.2	1.5
YD084-M20-NAL30	6	12	2.3	4.6	3.2	2.3	2.3	4.8	3.4	2.3
YD084-M22-NAL30	6	12	2.3	4.6	3.2	2.3	2.3	4.8	3.4	2.3
YD084-M24-NAL36	8	16	3.2	6.4	4.5	3.2	3.2	6.7	4.8	3.2
YD084-M27-NAL36	8	16	3.2	6.4	4.5	3.2	3.2	6.7	4.8	3.2
YD084-M30-NAL45	12	24	4.5	9	6.3	4.5	4.5	9.4	6.7	4.5
YD084-M33-NAL45	12	24	4.5	9	6.3	4.5	4.5	9.4	6.7	4.5
YD084-M36-NAL54	16	32	7	14	9.8	7	7	14.7	10.5	7
YD084-M42-NAL63	24	48	9	18	12.6	9	9	18.9	13.5	9
YD084-M48-NAL72	32	64	12	24	16.8	12	12	25	18	12
YD084-5/16-NAL12	1	2	0.3	0.6	0.42	0.3	0.3	0.63	0.45	0.3
YD084-3/8-NAL15	1	2	0.4	0.8	0.56	0.4	0.4	0.8	0.6	0.4
YD084-7/16-NAL18	2	4	0.75	1.5	1	0.75	0.75	1.5	1.1	0.75
YD084-1/2-NAL18	2	4	0.75	1.5	1	0.75	0.75	1.5	1.1	0.75
YD084-5/8-NAL24	4	8	1.5	3	2.1	1.5	1.5	3.1	2.2	1.5
YD084-3/4-NAL30	6	12	2.3	4.6	3.2	2.3	2.3	4.8	3.4	2.3
YD084-7/8-NAL30	6	12	2.3	4.6	3.2	2.3	2.3	4.8	3.4	2.3
YD084-1-NAL36	8	16	3.2	6.4	4.5	3.2	3.2	6.7	4.8	3.2
YD084-1-1/4-NAL45	12	24	4.5	9	6.3	4.5	4.5	9.4	6.7	4.5
YD084-1-1/2-NAL63	24	48	9	18	12.6	9	9	18.9	13.5	9
YD084-1-3/4-NAL72	32	64	12	24	16.8	12	12	25	18	12

The data in this table refers to the weight of the object that can be lifted by all the rings under the safety information.

Lifting angle  $\beta$ : refers to the angle between the sling and the vertical line. When multiple spreaders are used, take the max value.

# 眼型旋转吊点

新结构  
带止动螺丝

标记的额定载荷适用于允许的受力方向；  
竖直方向起吊时，工作载荷大。  
符合 EN1677 欧盟标准。

螺栓采用合金钢 42CrMo 精锻制成，  
热处理前的抗拉强度 $\sigma_b$  为 1080MPa，  
调质后机械性能提高。

吊环表面煮黑后静电喷涂，  
提高表面防腐能力。

环体可 360° 旋转，随力的方向  
旋转，调整受力角度。

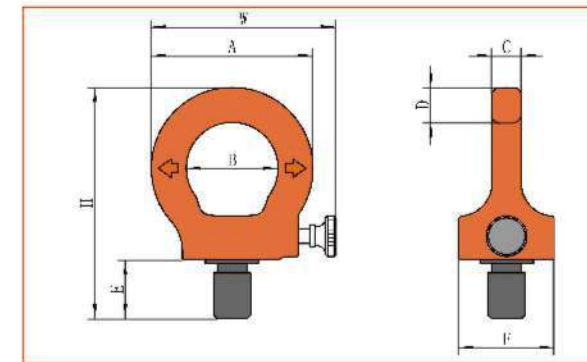
360° 旋转

配备止动螺丝，锁紧后便捷安装，  
松开后吊环即可旋转。

标准螺纹规格齐全，额定载荷范围广 (M8 ~  
M48, 0.3t ~ 32t);

可按客户要求定制螺纹尺寸 (加长、缩短、粗牙、  
细牙、公制、美制)。

## SWIVEL HOISTRING (with lock screws)



YD094 - M30 - N A L45

Thread code and length (L=thread length)  
Pitch code(A=coarse thread, B=fine pitch thread  
C=extra fine thread)  
Structure (N=standard, B=larger, S=small )  
Main specification (Metric or UNC )  
Item No.

Force  
Direction

Mounted on the  
upper surface

Z

X

Mounted on the side

X

X

max 60°

max 30°

## SWIVEL HOISTRING (with lock screws)

### Metric thread

ITEM NO.	WLL/T		Dimensions/mm										Weight Kg
	X	[Z]	A	B	C	D	E	F	S	H	W		
YD094-M8-NAL12	0.3	1	44	25	8	9.5	12	26	6	61	50.5	0.15	
YD094-M10-NAL15	0.4	1	44	25	8	9.5	15	26	6	64	50.5	0.15	
YD094-M12-NAL18	0.75	2	52	30	10	11	18	32	8	75	59	0.2	
YD094-M14-NAL18	0.75	2	52	30	10	11	18	32	8	75	59	0.2	
YD094-M16-NAL24	1.5	4	61	35	14	13	24	39	10	90	67.5	0.35	
YD094-M18-NAL24	1.5	4	61	35	14	13	24	39	10	90	67.5	0.35	
YD094-M20-NAL30	2.3	6	70	40	16	15	30	47	12	107	79	0.6	
YD094-M22-NAL30	2.3	6	70	40	16	15	30	47	12	107	79	0.6	
YD094-M24-NAL36	3.2	8	84	48	19	18	36	55	14	126	90	1	
YD094-M27-NAL36	3.2	8	84	48	19	18	36	55	14	126	90	1	
YD094-M30-NAL45	4.5	12	105	60	24	22.5	45	67	17	158	111.5	2	
YD094-M33-NAL45	4.5	12	105	60	24	22.5	45	67	17	158	111.5	2	
YD094-M36-NAL54	7	16	126	72	29	27	54	77	22	190	133	3	
YD094-M42-NAL63	9	24	147	82	34	32.5	63	90	24	220	157.5	5	
YD094-M48-NAL72	12	32	168	94	38	37	72	103	27	251.5	176	7.5	

### Unc Thread

ITEM NO.	WLL/T		Dimensions/mm										Weight Kg
	X	[Z]	A	B	C	D	E	F	S	H	W		
YD094-5/16-NAL12	0.3	1	44	25	8	9.5	12	26	6	61	50.5	0.15	
YD094-3/8-NAL15	0.4	1	44	25	8	9.5	15	26	6	64	50.5	0.15	
YD094-7/16-NAL18	0.75	2	52	30	10	11	18	32	8	75	59	0.2	
YD094-1/2-NAL18	0.75	2	52	30	10	11	18	32	8	75	59	0.2	
YD094-5/8-NAL24	1.5	4	61	35	14	13	24	39	10	90	67.5	0.35	
YD094-3/4-NAL30	2.3	6	70	40	16	15	30	47	12	107	79	0.6	
YD094-7/8-NAL30	2.3	6	70	40	16	15	30	47	12	107	79	0.6	
YD094-1-NAL36	3.2	8	84	48	19	18	36	55	14	126	90	1	
YD094-1-1/4-NAL45	4.5	12	105	60	24	22.5	45	67	17	158	111.5	2	
YD094-1-1/2-NAL63	9	24	147	82	34	32.5	63	90	24	220	157.5	5	
YD094-1-3/4-NAL72	12	32	168	94	38	37	72	103	27	251.5	176	7.5	

## YD094 swivel eyebolt loading Safety Information

Description	Overview	Detail
<p>1</p> <ul style="list-style-type: none"> <li>1 piece lifting point</li> <li>Installed at the center of gravity</li> <li>Vertical lifting</li> </ul>		
<p>2</p> <ul style="list-style-type: none"> <li>2 pieces lifting points</li> <li>Symmetrically mounted around the center of gravity</li> <li>Vertical (with beam) lifting</li> </ul>		
<p>3</p> <ul style="list-style-type: none"> <li>1 piece lifting point</li> <li>Mounted on the side</li> <li>Vertical lifting</li> </ul>		
<p>4</p> <ul style="list-style-type: none"> <li>2 pieces lifting points</li> <li>Mounted on the side</li> <li>Vertical (with beam) lifting</li> </ul>		

Note: Angle between the sling and vertical line

## YD094 swivel eyebolt loading Safety Information

## YD094 swivel eyebolt Safety Information



Description	Overview	Detail
<p>5</p> <ul style="list-style-type: none"> <li>• 2 pieces lifting points</li> <li>• Symmetrically mounted around the center of gravity</li> <li>• <math>0 &lt; \beta &lt; 60^\circ</math></li> </ul>		
<p>6</p> <ul style="list-style-type: none"> <li>• 2 pieces lifting points</li> <li>• Asymmetry</li> <li>• <math>0 &lt; \beta &lt; 60^\circ</math></li> </ul>		
<p>7</p> <ul style="list-style-type: none"> <li>• 4 pieces lifting points</li> <li>• Symmetrically mounted around the center of gravity</li> <li>• <math>0 &lt; \beta &lt; 60^\circ</math></li> </ul>		
<p>8</p> <ul style="list-style-type: none"> <li>• 4 pieces lifting points</li> <li>• Asymmetry</li> <li>• <math>0 &lt; \beta &lt; 60^\circ</math></li> </ul>		

Kind of attachment										
Number of pieces	1	2	1	2	2	2	3-4	3-4		
Inclination angle	0°	0°	90°	90°	0-45°	45-60°	Asymmetry	0-45°	45-60°	Asymmetry
Item No.	WLL/T									
YD094-M8-NAL12	1	2	0.3	0.6	0.42	0.3	0.3	0.63	0.45	0.3
YD094-M10-NAL15	1	2	0.4	0.8	0.56	0.4	0.4	0.8	0.6	0.4
YD094-M12-NAL18	2	4	0.75	1.5	1	0.75	0.75	1.5	1.1	0.75
YD094-M14-NAL18	2	4	0.75	1.5	1	0.75	0.75	1.5	1.1	0.75
YD094-M16-NAL24	4	8	1.5	3	2.1	1.5	1.5	3.1	2.2	1.5
YD094-M18-NAL24	4	8	1.5	3	2.1	1.5	1.5	3.1	2.2	1.5
YD094-M20-NAL30	6	12	2.3	4.6	3.2	2.3	2.3	4.8	3.4	2.3
YD094-M22-NAL30	6	12	2.3	4.6	3.2	2.3	2.3	4.8	3.4	2.3
YD094-M24-NAL36	8	16	3.2	6.4	4.5	3.2	3.2	6.7	4.8	3.2
YD094-M27-NAL36	8	16	3.2	6.4	4.5	3.2	3.2	6.7	4.8	3.2
YD094-M30-NAL45	12	24	4.5	9	6.3	4.5	4.5	9.4	6.7	4.5
YD094-M33-NAL45	12	24	4.5	9	6.3	4.5	4.5	9.4	6.7	4.5
YD094-M36-NAL54	16	32	7	14	9.8	7	7	14.7	10.5	7
YD094-M42-NAL63	24	48	9	18	12.6	9	9	18.9	13.5	9
YD094-M48-NAL72	32	64	12	24	16.8	12	12	25	18	12
YD094-5/16-NAL12	1	2	0.3	0.6	0.42	0.3	0.3	0.63	0.45	0.3
YD094-3/8-NAL15	1	2	0.4	0.8	0.56	0.4	0.4	0.8	0.6	0.4
YD094-7/16-NAL18	2	4	0.75	1.5	1	0.75	0.75	1.5	1.1	0.75
YD094-1/2-NAL18	2	4	0.75	1.5	1	0.75	0.75	1.5	1.1	0.75
YD094-5/8-NAL24	4	8	1.5	3	2.1	1.5	1.5	3.1	2.2	1.5
YD094-3/4-NAL30	6	12	2.3	4.6	3.2	2.3	2.3	4.8	3.4	2.3
YD094-7/8-NAL30	6	12	2.3	4.6	3.2	2.3	2.3	4.8	3.4	2.3
YD094-1-NAL36	8	16	3.2	6.4	4.5	3.2	3.2	6.7	4.8	3.2
YD094-1-1/4-NAL45	12	24	4.5	9	6.3	4.5	4.5	9.4	6.7	4.5
YD094-1-1/2-NAL63	24	48	9	18	12.6	9	9	18.9	13.5	9
YD094-1-3/4-NAL72	32	64	12	24	16.8	12	12	25	18	12

The data in this table refers to the weight of the object that can be lifted by all the rings under the safety information.

Lifting angle  $\beta$ : refers to the angle between the sling and the vertical line. When multiple spreaders are used, take the max value.

Note: Angle between the sling and vertical line

# YDS 旋转吊点

合金钢材  
锻造工艺

180°翻转

螺栓内六角设计，通过扳手可将吊点轻松安装在被吊物体上。

旋转底座一体式设计，整体锻造，强度更高。

360°旋转

YDS 旋转吊环的螺栓采用合金钢 42CrMo 精锻制成，热处理前的抗拉强度 $\sigma_b$  为 1080MPa，调质后机械性能提高。

环体可随力的方向旋转、以调整受力角度。

不同受力方向，可起吊的载荷不同，但保证 4 倍系数。

标准螺纹规格齐全，额定载荷范围广 (M8 ~ M100, 0.5t ~ 50t);

可按客户要求定制螺纹尺寸 (加长、缩短、粗牙、细牙、公制、美制)。

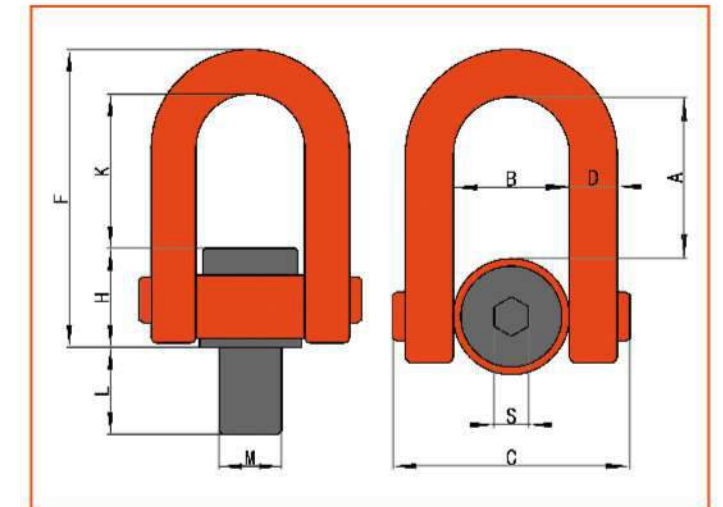
## YDS SWIVEL HOIST RING



360° Rotation

YDS - M30 - N A L45

- Thread code and length (L=thread length)
- Pitch code (A=coarse thread, B=fine pitch thread, C=extra fine thread)
- Structure (N=standard, B=larger, S=small)
- Main specification (Metric or UNC)
- Item No.



## YDS SWIVEL HOIST RING

### Metric thread

ITEM NO.	WLL/T	Dimensions/mm										Torque Nm	Weight Kg
		L	A	B	C	D	F	K	M	H	S		
YDS-M8-NAL12	0.5	12	48.5	37	76	14	103.5	49.5	8	40	10.5	30	0.8
YDS-M10-NAL16	0.7	16	48.5	37	76	14	103.5	49.5	10	40	10.5	60	0.8
YDS-M12-NAL18	1	18	48.5	37	76	14	103.5	49.5	12	40	10.5	100	0.8
YDS-M14-NAL21	1.5	21	48.5	37	76	14	103.5	49.5	14	40	10.5	120	0.8
YDS-M16-NAL24	2	24	48.5	37	76	14	103.5	49.5	16	40	10.5	150	0.8
YDS-M20-NAL40	3	40	73	54	106	20	151	77	20	54	14.5	250	2
YDS-M24-NAL40	4.5	40	73	54	106	20	151	77	24	54	14.5	400	2.5
YDS-M30-NAL45	7.3	45	98.5	74	149	30	206.5	103.5	30	73	22.5	500	5.5
YDS-M33-NAL50	8	50	98.5	74	149	30	206.5	103.5	33	73	22.5	800	5.5
YDS-M36-NAL54	10	54	98.5	74	149	30	206.5	103.5	36	73	22.5	1000	5.5
YDS-M39-NAL58	10	58	98.5	74	149	30	206.5	103.5	39	73	22.5	1200	6
YDS-M42-NAL63	12.5	63	98.5	74	149	30	206.5	103.5	42	73	22.5	1500	6
YDS-M45-NAL63	15	63	98.5	74	149	30	206.5	103.5	45	73	22.5	1800	6
YDS-M48-NAL68	20	68	117.5	93	183	36	255	122	48	93	27.5	2000	11.5
YDS-M52-NAL68	20	68	117.5	93	183	36	255	122	52	93	27.5	2000	12
YDS-M56-NAL78	25	78	117.5	93	183	36	255	122	56	93	27.5	2100	12
YDS-M64-NAL90	32	90	117.5	93	183	36	255	122	64	93	27.5	2200	13
YDS-M64-BAL100	33	100	186	148	279	58.5	401	192	64	144	36.5	2720	42
YDS-M72-BAL110	35	110	186	148	279	58.5	401	192	72	144	36.5	3200	43
YDS-M80-BAL120	40	120	186	148	279	58.5	401	192	80	144	36.5	3600	45
YDS-M90-BAL135	45	135	186	148	279	58.5	401	192	90	144	36.5	4100	47
YDS-M100-BAL150	50	150	186	148	279	58.5	401	192	100	144	36.5	4500	50

### Unc Thread

ITEM NO.	WLL/T	Dimensions/mm										Torque Nm	Weight Kg
		L	A	B	C	D	F	K	M	H	S		
YDS-5/16-NAL12	0.5	12	48.5	37	76	14	103.5	49.5	5/16	40	10.5	30	0.8
YDS-3/8-NAL16	0.7	16	48.5	37	76	14	103.5	49.5	3/8	40	10.5	60	0.8
YDS-7/16-NAL18	1	18	48.5	37	76	14	103.5	49.5	7/16	40	10.5	100	0.8
YDS-1/2-NAL21	1.5	21	48.5	37	76	14	103.5	49.5	1/2	40	10.5	120	0.8
YDS-5/8-NAL24	2	24	48.5	37	76	14	103.5	49.5	5/8	40	10.5	150	0.8
YDS-3/4-NAL40	3	40	73	54	106	20	151	77	3/4	54	14.5	250	2
YDS-1-NAL40	4.5	40	73	54	106	20	151	77	1	54	14.5	400	2.5
YDS-1-1/4-NAL45	8	50	98.5	74	149	30	206.5	103.5	1-1/4	73	22.5	800	5.5
YDS-1-1/2-NAL54	10	54	98.5	74	149	30	206.5	103.5	1-1/2	73	22.5	1000	5.5
YDS-1-3/4-NAL63	15	63	98.5	74	149	30	206.5	103.5	1-3/4	73	22.5	1800	6
YDS-2-NAL68	20	68	117.5	93	183	36	255	122	2	93	27.5	2000	12
YDS-2-1/2-NAL90	32	90	117.5	93	183	36	255	122	2-1/2	93	27.5	2200	13

## YDS swivel hoist ring Safety Information

Description	Overview	Detail
<p>1</p> <ul style="list-style-type: none"> <li>• 1 piece lifting point</li> <li>• Installed at the center of gravity</li> <li>• Vertical lifting</li> </ul>		
<p>2</p> <ul style="list-style-type: none"> <li>• 2 pieces lifting points</li> <li>• Symmetrically mounted around the center of gravity</li> <li>• Vertical (with beam) lifting</li> </ul>		
<p>3</p> <ul style="list-style-type: none"> <li>• 1 piece lifting point</li> <li>• Mounted on the side</li> <li>• Vertical lifting</li> </ul>		
<p>4</p> <ul style="list-style-type: none"> <li>• 2 pieces lifting points</li> <li>• Mounted on the side</li> <li>• Vertical (with beam) lifting</li> </ul>		

Note: Angle between the sling and vertical line

## YDS swivel hoist ring Safety Information

Description	Overview	Detail
<p><b>5</b></p> <ul style="list-style-type: none"> <li>• 2 pieces lifting points</li> <li>• Symmetrically mounted around the center of gravity</li> <li>• <math>0 &lt; \beta &lt; 60^\circ</math></li> </ul>		
<p><b>6</b></p> <ul style="list-style-type: none"> <li>• 2 pieces lifting points</li> <li>• Asymmetry</li> <li>• <math>0 &lt; \beta &lt; 60^\circ</math></li> </ul>		
<p><b>7</b></p> <ul style="list-style-type: none"> <li>• 4 pieces lifting points</li> <li>• Symmetrically mounted around the center of gravity</li> <li>• <math>0 &lt; \beta &lt; 60^\circ</math></li> </ul>		
<p><b>8</b></p> <ul style="list-style-type: none"> <li>• 4 pieces lifting points</li> <li>• Asymmetry</li> <li>• <math>0 &lt; \beta &lt; 60^\circ</math></li> </ul>		

Note: Angle between the sling and vertical line

## YDS loading Safety Information



Kind of attachment										
Number of pieces	1	2	1	2	2	2	2	3 - 4	3 - 4	3 - 4
Inclination angle	0°	0°	90°	90°	0-45°	45-60°	Asymmetry	0-45°	45-60°	Asymmetry
Item No.	WLL/t									
YDS-M8-NAL12	0.5	1	0.5	1	0.7	0.5	0.5	1.1	0.8	0.5
YDS-M10-NAL16	0.7	1.4	0.7	1.4	1	0.7	0.7	1.5	1.1	0.7
YDS-M12-NAL18	1	2	1	2	1.4	1	1	2.1	1.5	1
YDS-M14-NAL21	1.5	3	1.5	3	2.1	1.5	1.5	3.15	2.3	1.5
YDS-M16-NAL24	2	4	2	4	2.8	2	2	4.2	3	2
YDS-M20-NAL40	3	6	3	6	4.2	3	3	6.3	4.5	3
YDS-M24-NAL40	4.5	9	4.5	9	6.3	4.5	4.5	9.45	6.8	4.5
YDS-M30-NAL45	7.3	14.6	7.3	14.6	10.2	7.3	7.3	15.3	11	7.3
YDS-M33-NAL50	8	16	8	16	11.2	8	8	16.8	12	8
YDS-M36-NAL54	10	20	10	20	14	10	10	21	15	10
YDS-M39-NAL58	10	20	10	20	14	10	10	21	15	10
YDS-M42-NAL63	12.5	25	12.5	25	17.5	12.5	12.5	26.3	18.8	12.5
YDS-M45-NAL63	15	30	15	30	21	15	15	31.5	22.5	15
YDS-M48-NAL68	20	40	20	40	28	20	20	42	30	20
YDS-M52-NAL68	20	40	20	40	28	20	20	42	30	20
YDS-M56-NAL78	25	50	25	50	35	25	25	53	37.5	25
YDS-M64-NAL90	32	64	32	64	45	32	32	67	48	32
YDS-M64-BAL100	33	66	33	66	46.2	33	33	69.3	49.5	33
YDS-M72-BAL110	35	70	35	70	49	35	35	73.5	52.5	35
YDS-M80-BAL120	40	80	40	80	56	40	40	84	60	40
YDS-M90-BAL135	45	90	45	90	63	45	45	95	67.5	45
YDS-M100-BAL150	50	100	50	100	70	50	50	105	75	50
YDS-5/16-NAL12	0.5	1	0.5	1	0.7	0.5	0.5	1.1	0.8	0.5
YDS-3/8-NAL16	0.7	1.4	0.7	1.4	1	0.7	0.7	1.5	1.1	0.7
YDS-7/16-NAL18	1	2	1	2	1.4	1	1	2.1	1.5	1
YDS-1/2-NAL21	1.5	3	1.5	3	2.1	1.5	1.5	3.15	2.3	1.5
YDS-5/8-NAL24	2	4	2	4	2.8	2	2	4.2	3	2
YDS-3/4-NAL40	3	6	3	6	4.2	3	3	6.3	4.5	3
YDS-1-NAL40	4.5	9	4.5	9	6.3	4.5	4.5	9.45	6.8	4.5
YDS-1-1/4-NAL45	8	16	8	16	11.2	8	8	16.8	12	8
YDS-1-1/2-NAL54	10	20	10	20	14	10	10	21	15	10
YDS-1-3/4-NAL63	15	30	15	30	21	15	15	31.5	22.5	15
YDS-2-NAL68	20	40	20	40	28	20	20	42	30	20
YDS-2-1/2-NAL90	32	64	32	64	45	32	32	67	48	32

The data in this table refers to the weight of the object that can be lifted by all the rings under the safety information.

Lifting angle  $\beta$ : refers to the angle between the sling and the vertical line. When multiple spreaders are used, take the max value.

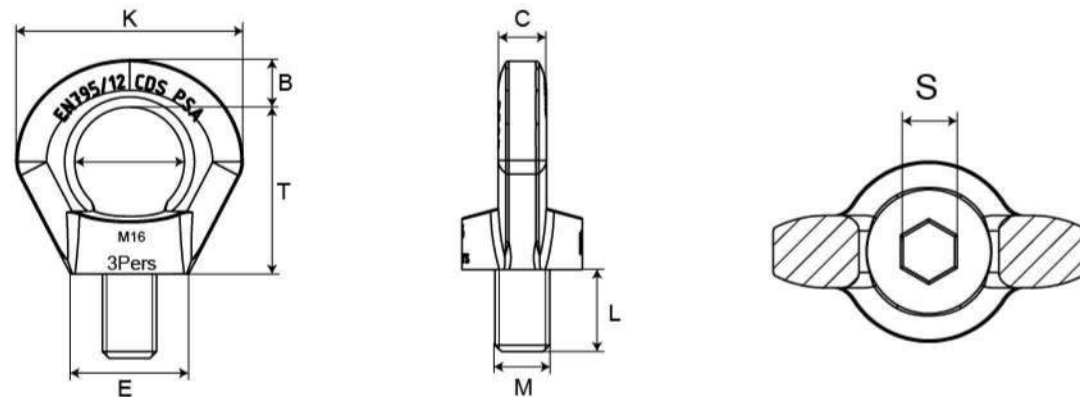
## DUPLEX STAINLESS STEEL EYE BOLT



### 概述 Brief Introduction

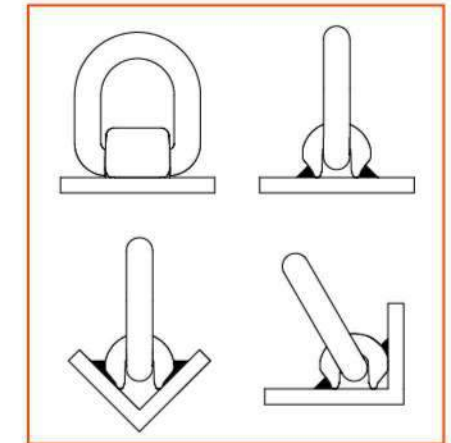
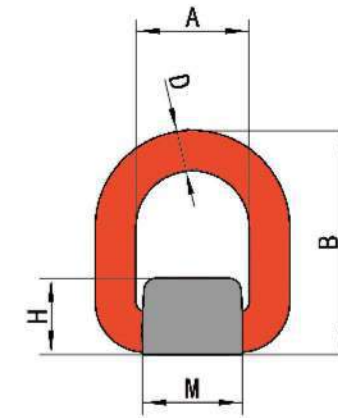
整体材质为双相不锈钢DSS,具有良好的耐腐蚀和力学性能。  
在海洋环境中及高度氯离子的环境中具有长期的稳定性。  
适应于露天的作业环境。  
PSA防坠落固定吊点下接高空安全带,可应用于高空作业。  
Material of body and screw: Duplex Stainless Steel  
High resistance against sea water and in environments with a high concentration of chlorine ions.  
Widely Used to outdoor working.  
Attaching to safety sling, it applies to work at aloft.

360°旋转,环体可随拉伸方向自动调整。  
仅一根螺栓连接,安装便捷快速。  
可提供各种长度螺栓,亦适用于深孔及通孔。  
螺栓内六角设计,通过扳手可将吊点轻松安装在被吊物体上。  
360° rotation, adjustable in the direction of pull.  
Using screw only to ensure fast installation.  
Multiple bolt lengths available to meet specific application requirement for long or through hole.  
hexagonal design to ensure perfectly fitted and tighten to the mounting surface with wrench tool.



MODEL	WLL NUMBER	Dimensions/mm								Weight Kg
		B	C	E	K	T	L	M	S	
PSA-16	3	14	14	35	67	32.5	25	16	10	0.3
PSA-16L	3	14	14	35	67	32.5	120	16	10	0.45

## G80 LIFTING POINTS



ITEM NO.	WLL/T	Dimensions/mm					Weight kgs
		A	B	D	M	H	
YD-085-01	1.12T	41	78.5	13	37	35	0.4
YD-085-02	2T	42	88	14	40	37	0.47
YD-085-03	3.15T	45	94	17	42.5	40	0.69
YD-085-05	5.3T	55	118	22	61	52	1.46
YD-085-08	8T	70	141	26.5	70.5	57	2.5
YD-085-10	10T	85	165	28	78	66	3.2
YD-085-15	15T	97	188	34	90	77	5.79
YD-085-20	20T	150	250	46	130	98	15.5

### Safety Information

Kind of attachment											
Number of pieces	1	2	1	2	2	2	3-4	3-4	3-4		
Inclination angle	0°	0°	90°	90°	0-45°	45-60°	Asymmetry	0-45°	45-60°	Asymmetry	
Item No.	Size	WLL/t									
YD-085-01	1.12T	1.12	2.24	1.12	2.24	1.6	1.12	1.12	2.3	1.68	1.12
YD-085-02	2T	2	4	2	4	2.8	2	2	4.2	3	2
YD-085-03	3.15T	3.15	6.3	3.15	6.3	4.4	3.15	3.15	6.6	4.7	3.15
YD-085-05	5.3T	5.3	10.6	5.3	10.6	7.4	5.3	5.3	11.2	7.9	5.3
YD-085-08	8T	8	16	8	16	11.2	8	8	16.8	12	8
YD-085-10	10T	10	20	10	20	14	10	10	21	15	10
YD-085-15	15T	15	30	15	30	21	15	15	31.5	22.5	15
YD-085-20	20T	20	40	20	40	28	20	20	42	30	20